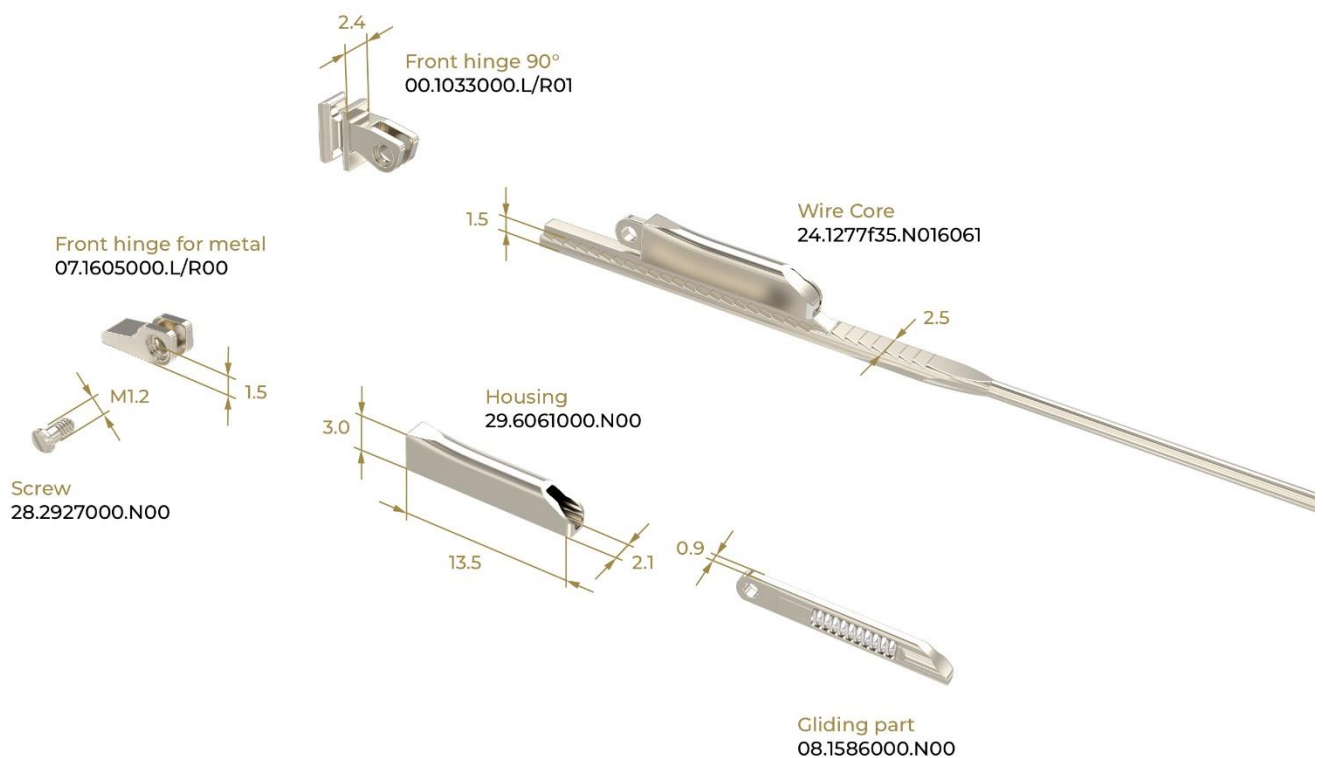


## Alpha 2,1

### Spring Hinge for extra slim dimensions

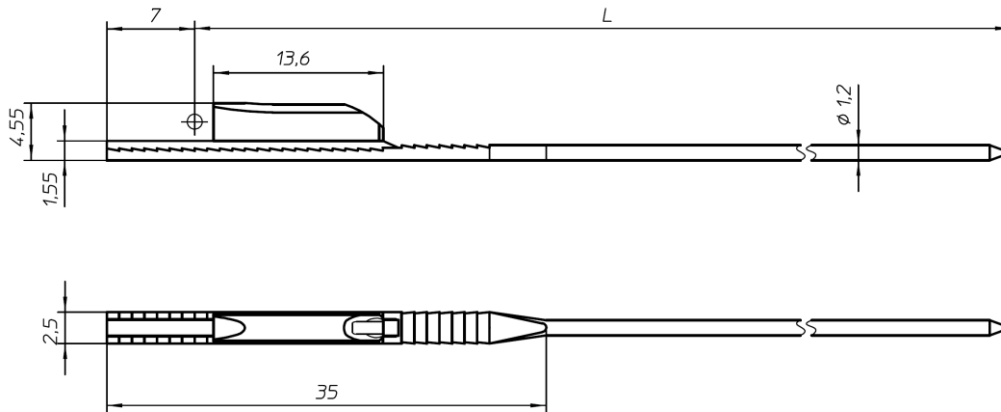
Based on a proven technology – developed by REDTENBACHER

- Slim temple sizes
- Easy assembling
- Exchangeable gliding part

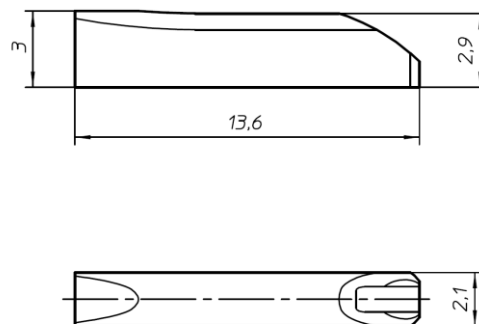


## Drawings

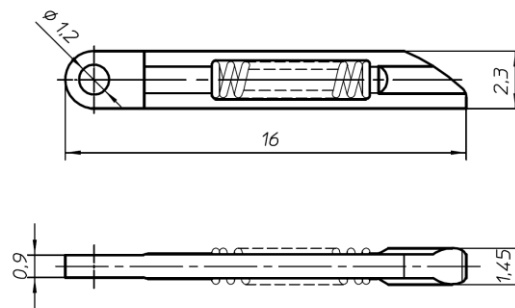
### Wire core – 24.1277f35.N016061



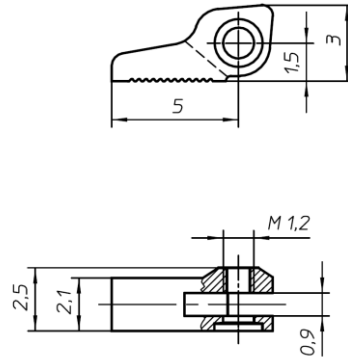
### Housing – 29.6061000.N00



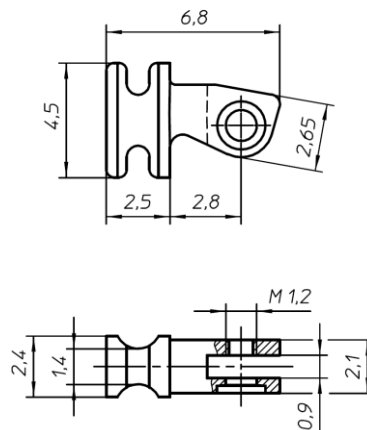
### Gliding part – 08.1586000.N00



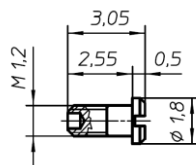
## Front hinge for metal – 07.1605000.L/R00



## Front hinge 90° – 00.1033000.L/R01



## Screw for metal front hinge – 28.2927000.N00



## Screw for 90° front hinge – 28.2917000.N01

