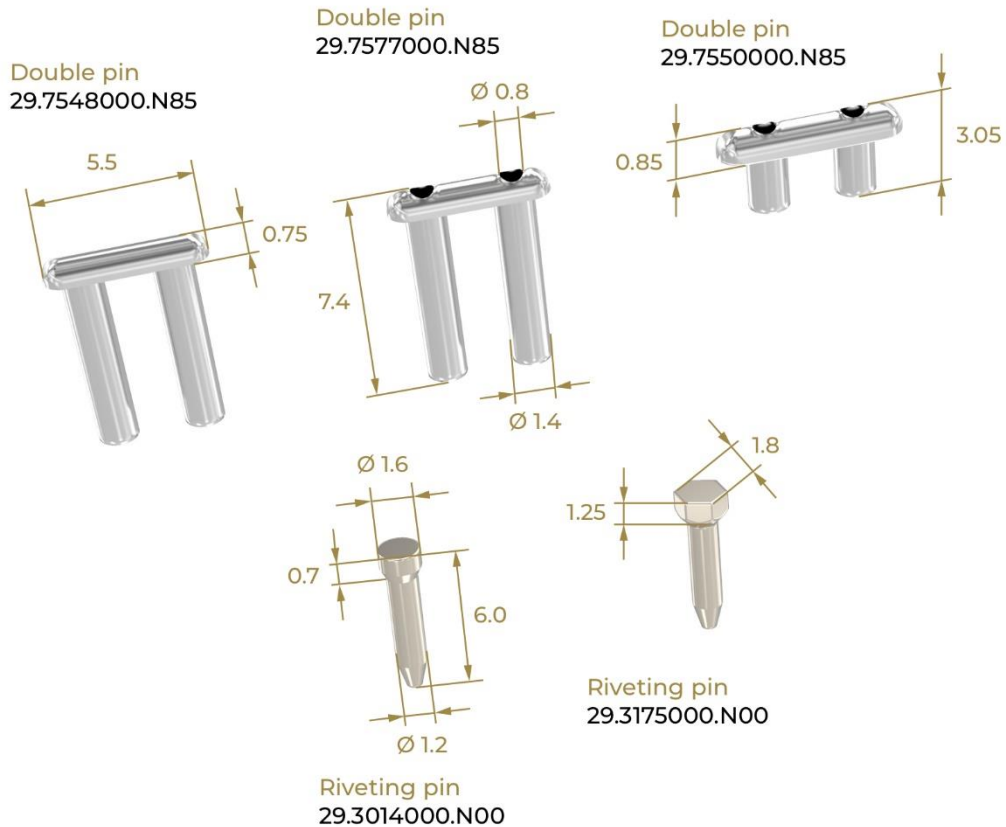


Pins

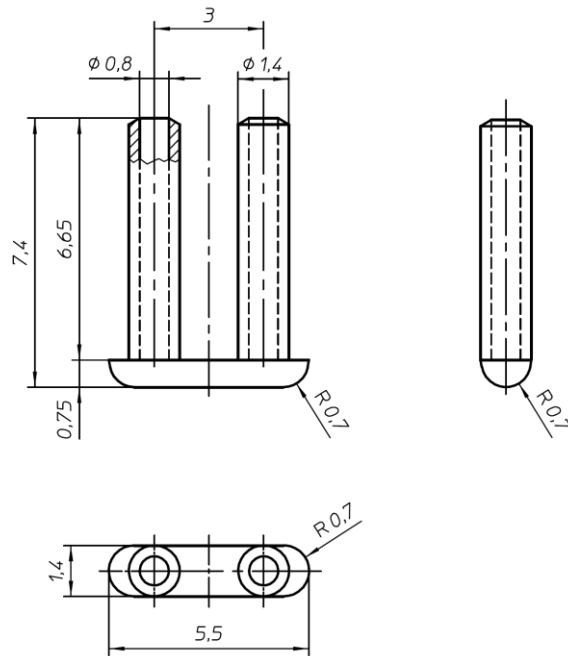
Riveting & Pressing

- Double pin made of plastic for pressed connections
- Single pin made of nickel silver for riveting hinges and more

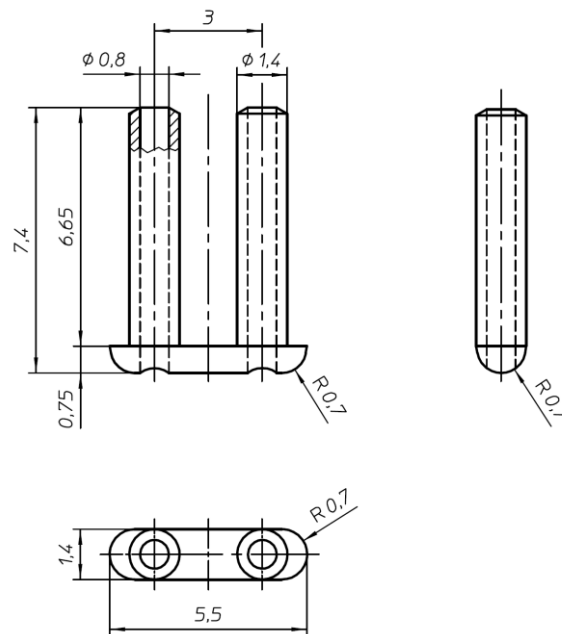


Drawings

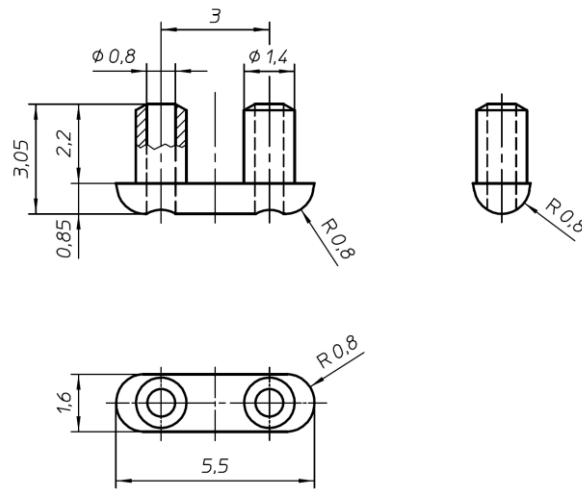
Double pin – 29.7548000.N85



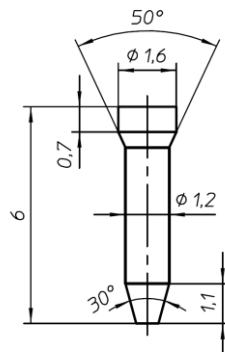
Double pin, through-hole – 29.7577000.N85



Double pin, through-hole – 29.7550000.N85



Riveting pin – 29.3014000.N00



Riveting pin, hexagonal – 29.3175000.N00

