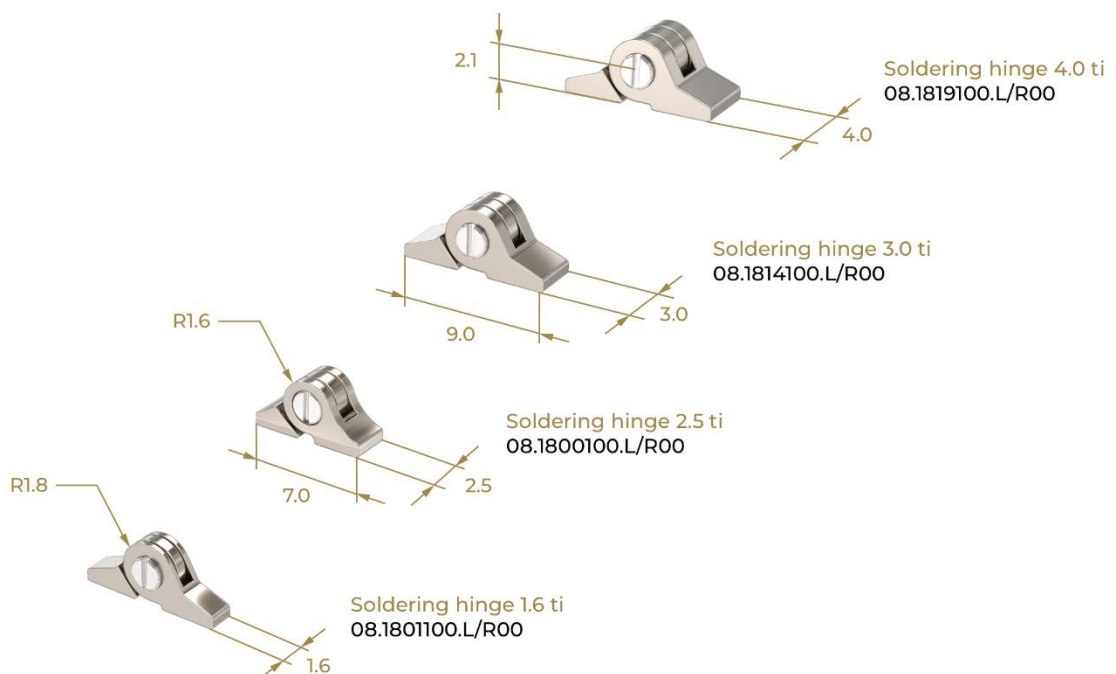


Standard Titanium

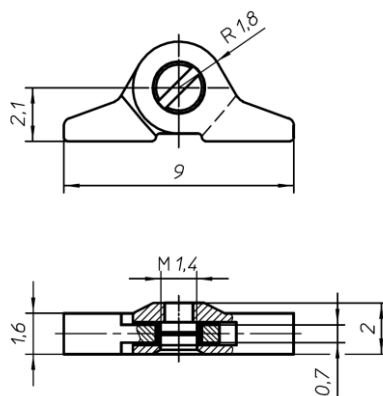
Soldering Hinges for titanium frames

- Preassembled
- Equipped with standard minus-screw
- Integrated washers for smooth temple movement

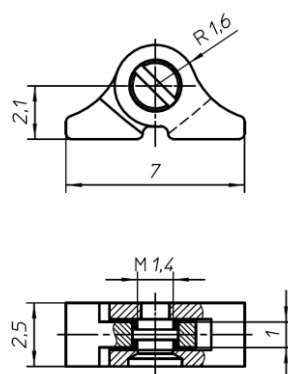


Drawings

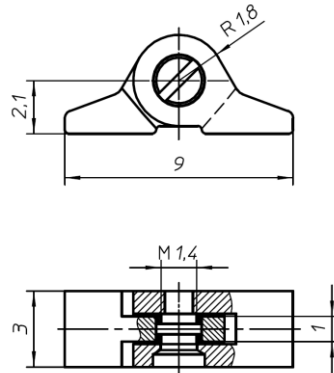
Soldering hinge 1,6ti – 08.1801100.L/R00



Soldering hinge 2,5ti – 08.1800100.L/R00



Soldering hinge 3,0ti – 08.1814100.L/R00



Soldering hinge 4,0ti – 08.1819100.L/R00

