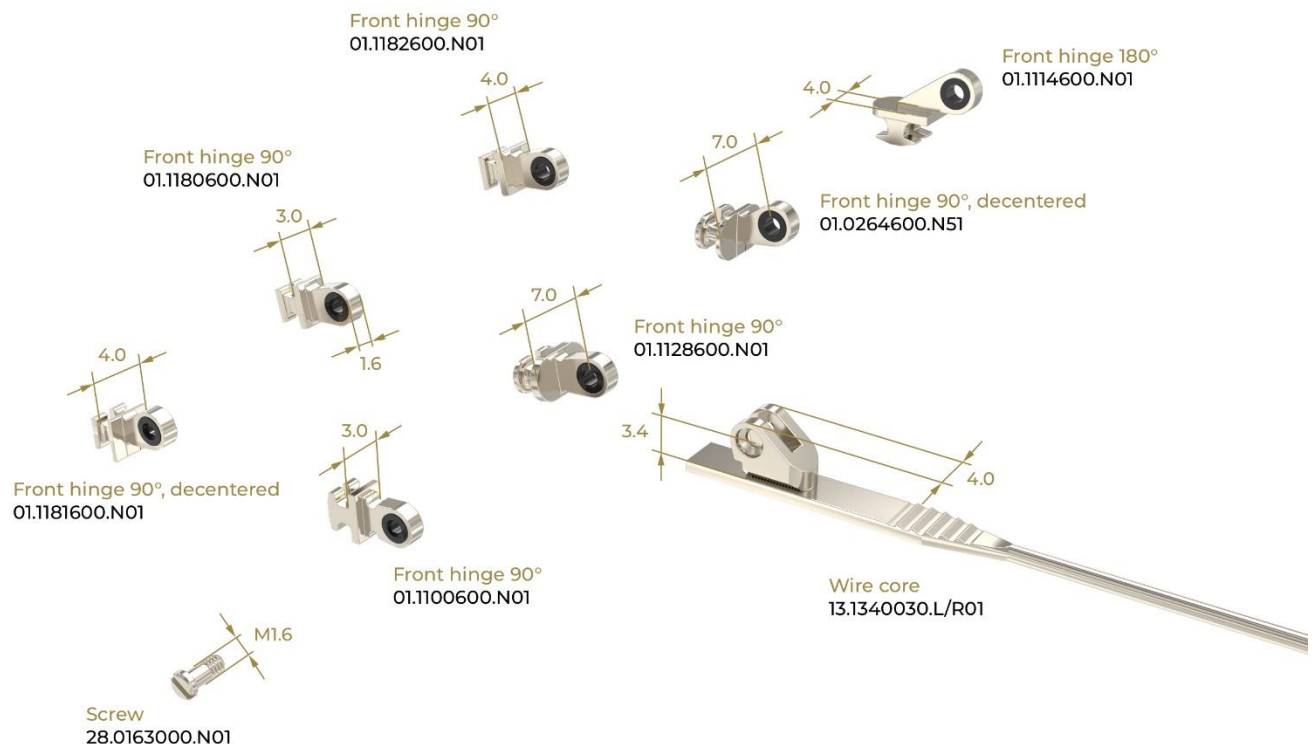


Wire Core 4,0

Soldered with Regular Hinge

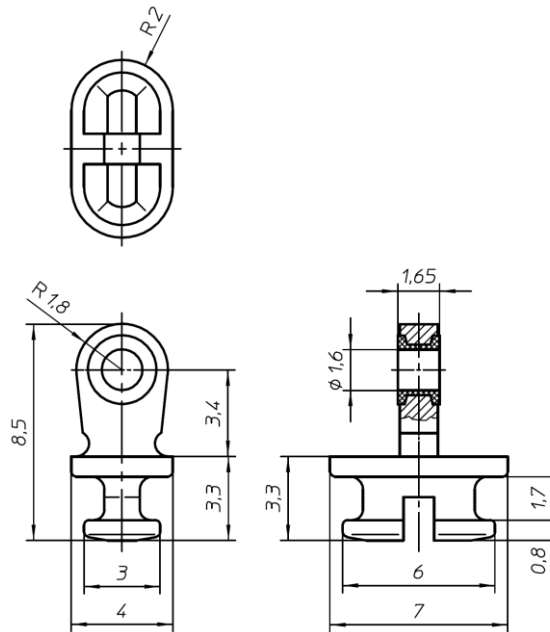
The plastic-injected front hinge offers you the following advantages:

- The main friction point is between the barrels of the female hinge & the injected plastic rings
- The friction between metal & plastic assures a smooth and adequate temple movement of BOTH sides of the frame = friction control
- The friction control assures a smooth temple movement over more than 50.000 opening / closing cycles

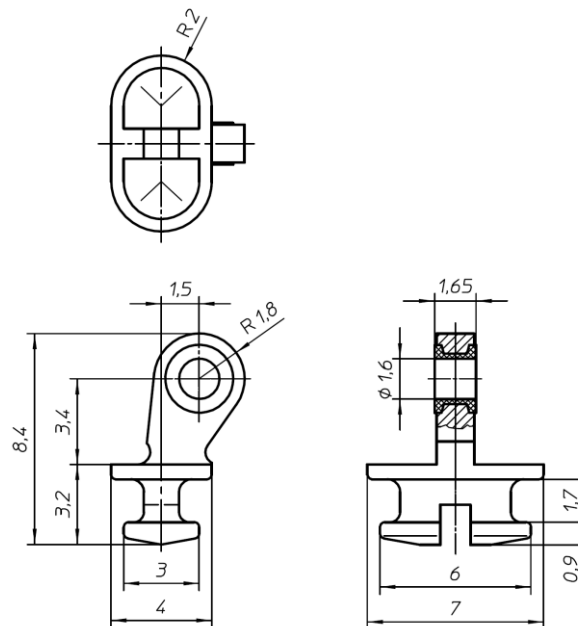


Drawings

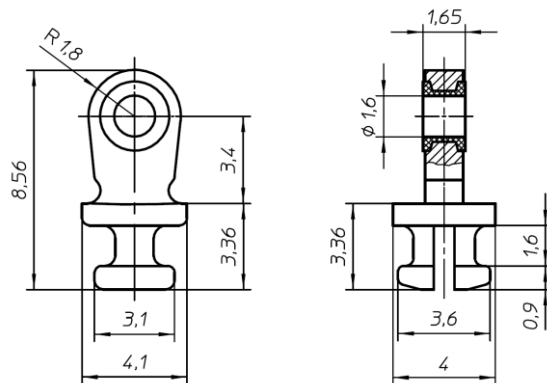
Front hinge 90° – 01.1128600.N01



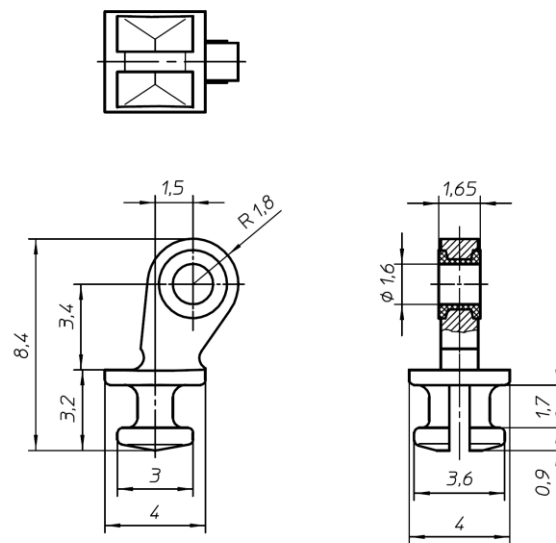
Front hinge 90°, decentered – 01.0264600.N51



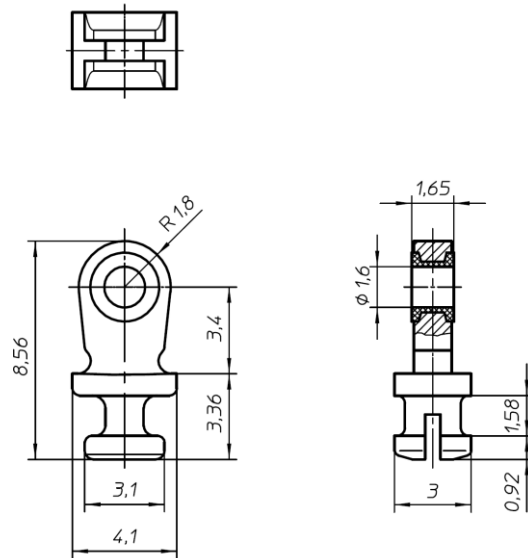
Front hinge 90° – 01.1182600.N01



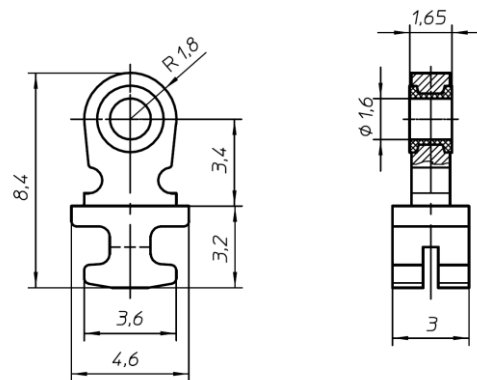
Front hinge 90°, decentered – 01.1181600.N01



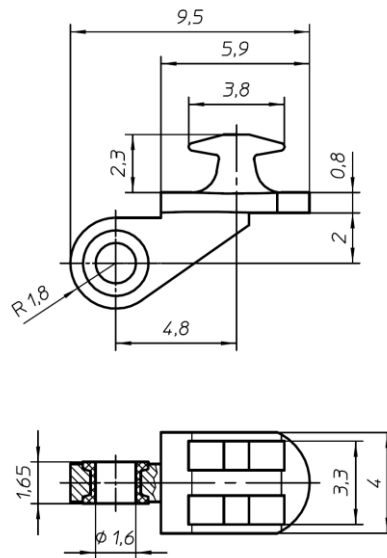
Front hinge 90° – 01.1180600.N01



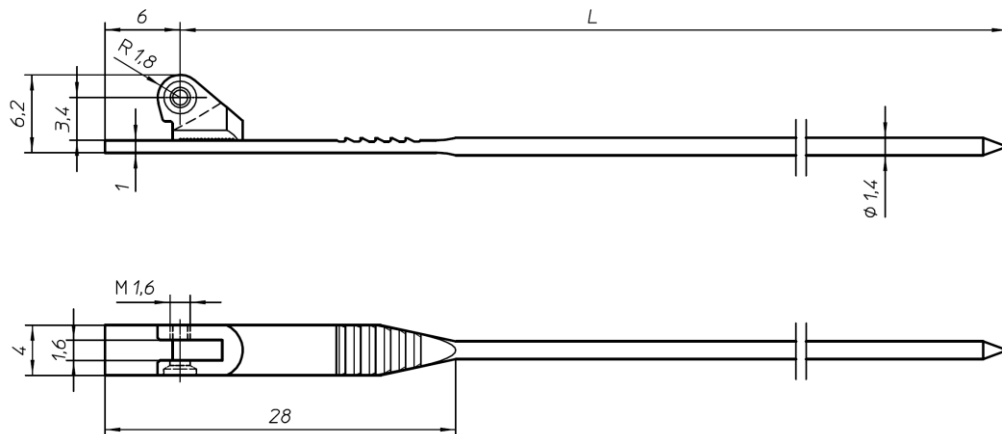
Front hinge 90° – 01.1100600.N01



Front hinge 180° – 01.1114600.N01



Wire core – 13.1340030.L/R01 (L=130)



Screw – 28.0163000.N01

