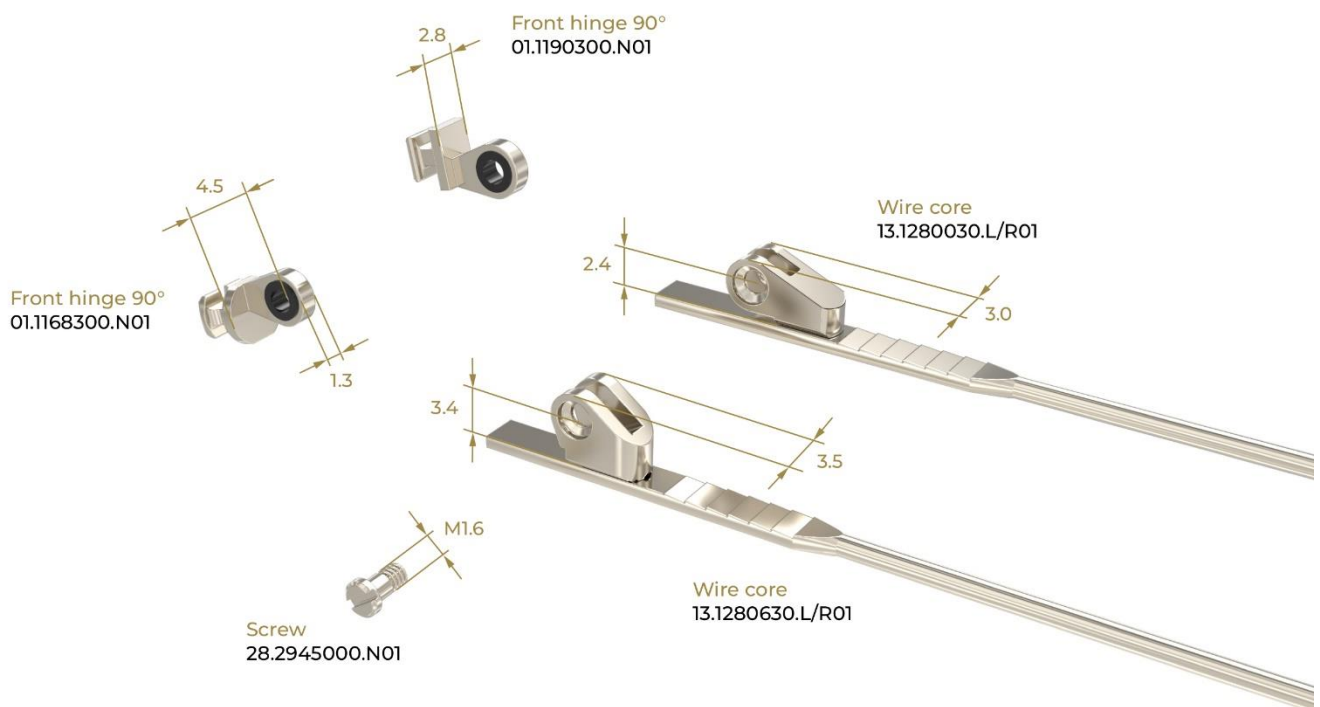


## Wire Core 3,0/3,5

### Soldered with Regular Hinge

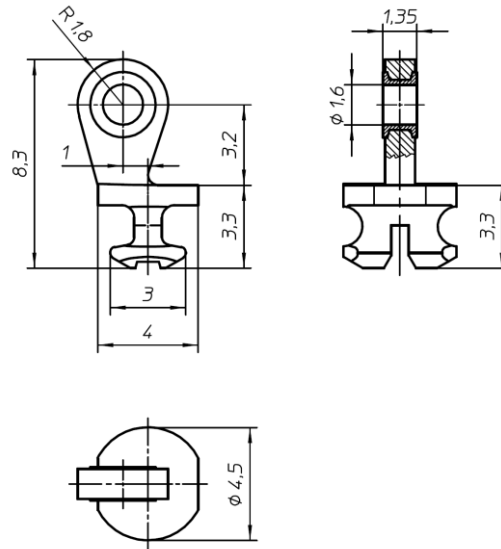
The plastic-injected front hinge offers you the following advantages:

- The main friction point is between the barrels of the female hinge & the injected plastic rings
- The friction between metal & plastic assures a smooth and adequate temple movement of BOTH sides of the frame = friction control
- The friction control assures a smooth temple movement over more than 50.000 opening / closing cycles

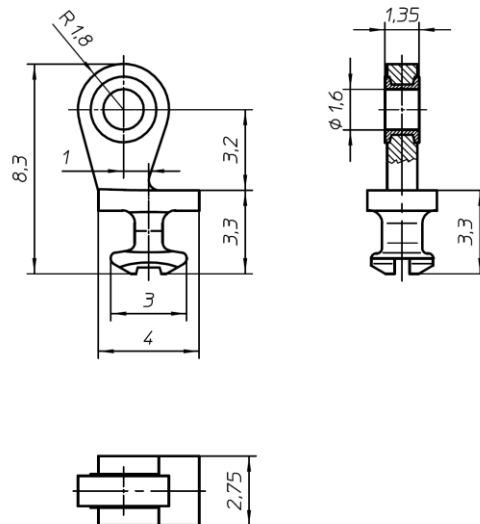


## Drawings

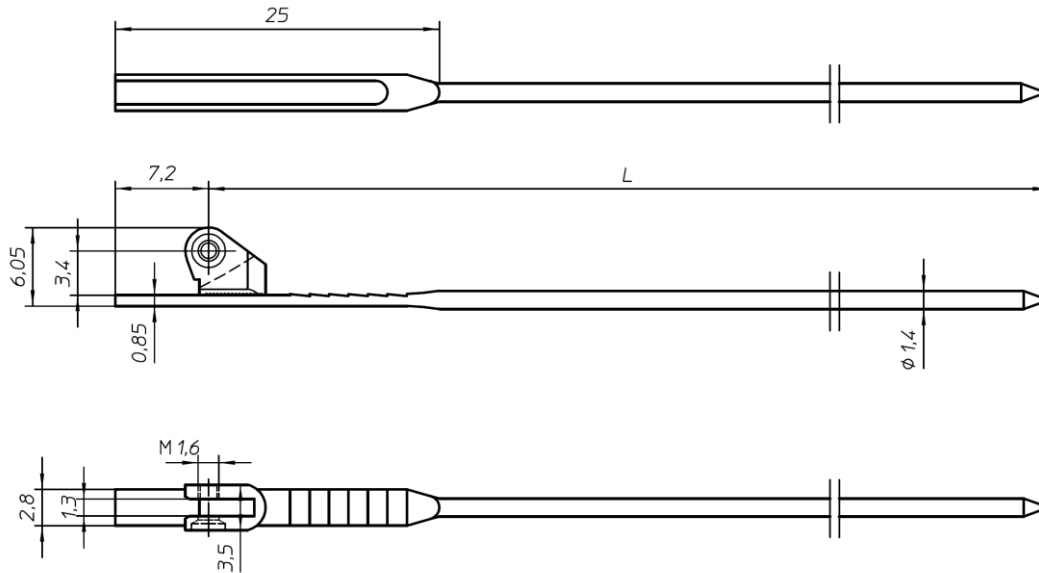
Front hinge 90° – 01.1168300.N01



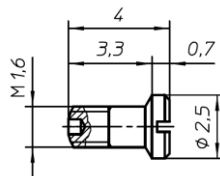
Front hinge 90° – 01.1190300.N01



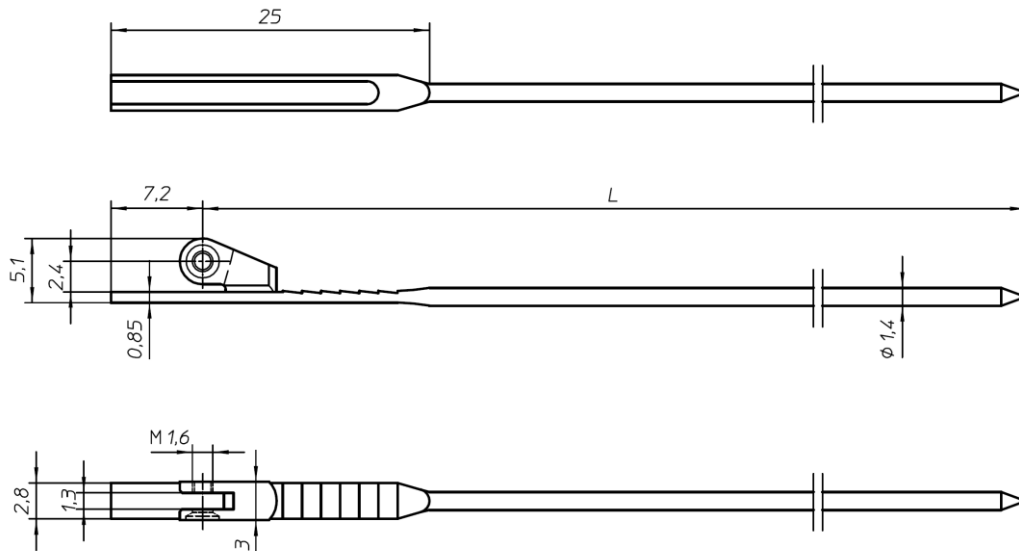
## Wire core – 13.1280630.L/R01 (L=130)



## Screw – 28.2945000.N01



## Wire core – 13.1280030.L/R01 (L=130)



## Screw – 28.0125000.N01

