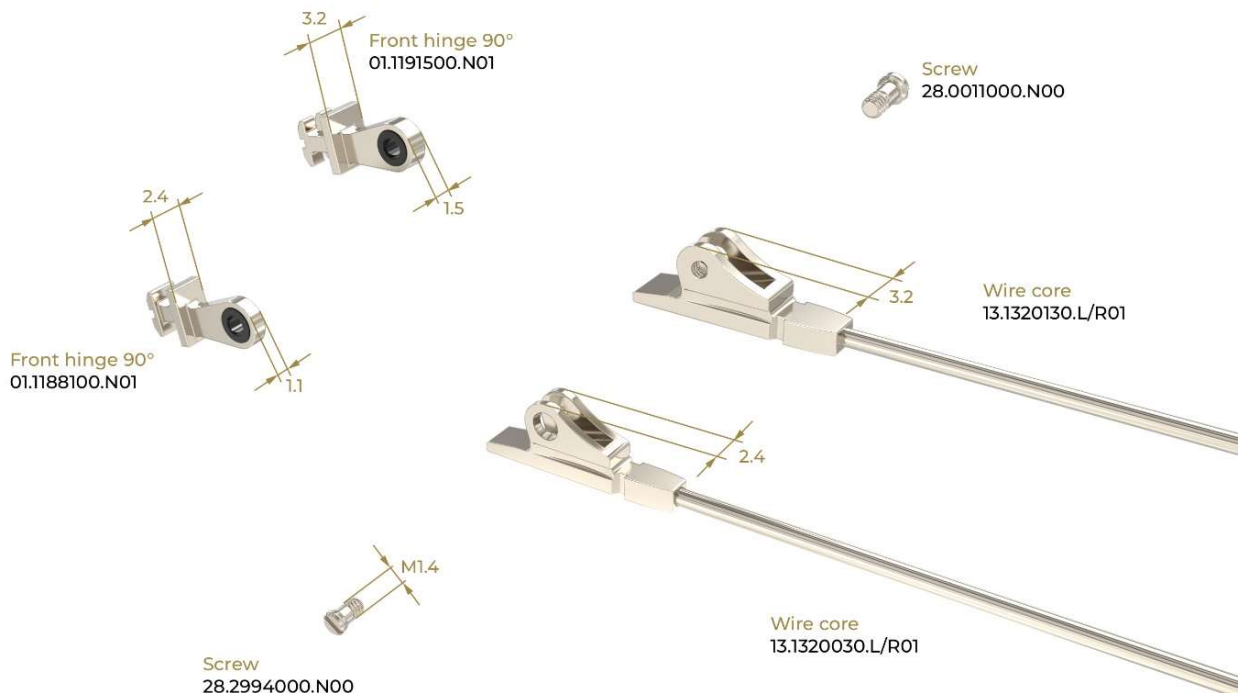


Compact 2,4/3,2

Integrated with Regular Hinge

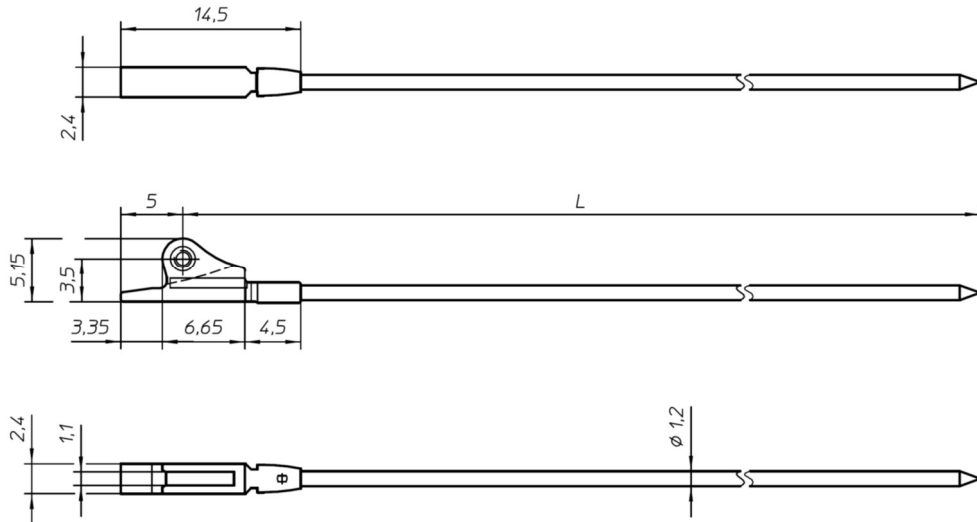
Based on a new technology – developed by REDTENBACHER

- Elimination of all risks in connection with soldering and welding
- Compactness is new defined – low&short construction
- Plate of the wire core not wider than box – applicable for also very small temple sizes (Compact 2,4 = ~3,5mm)
- Front hinge equipped with friction control

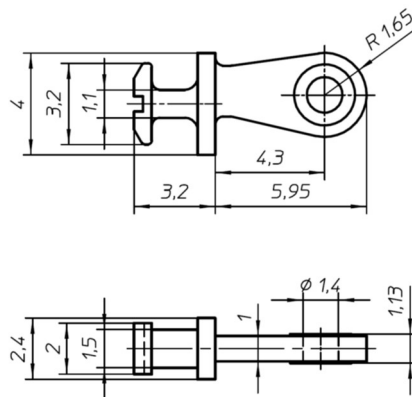


Drawings

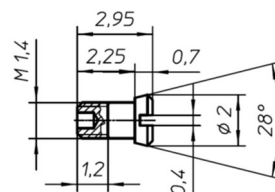
Wire core „Compact 2,4” 13.1320030.L/R01 (L=130)



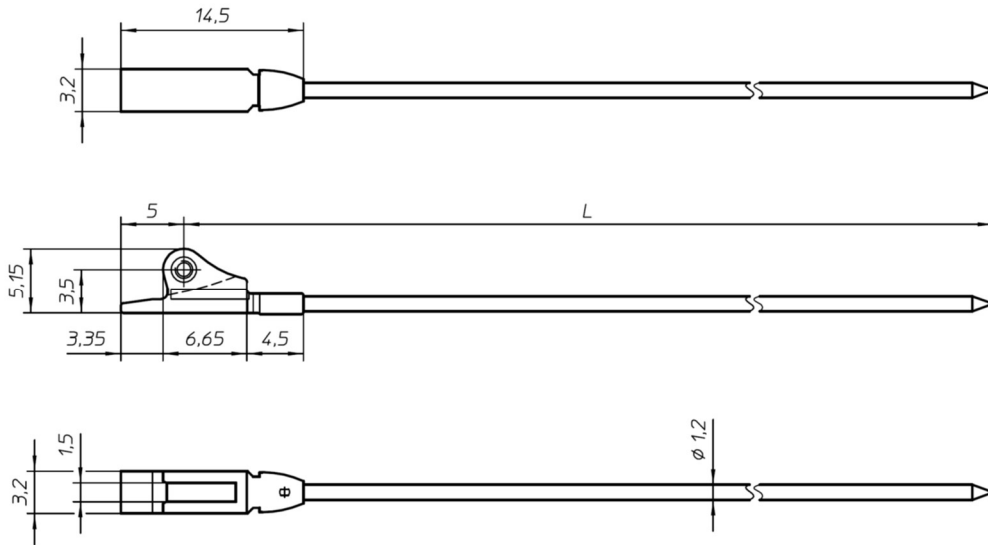
Front hinge 90° „Compact 2,4” – 01.1188100.N01



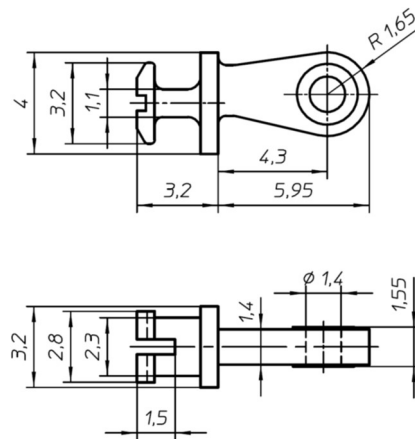
Screw „Compact 2,4” – 28.2994000.N00



Wire core „Compact 3,2“ – 13.1320130.L/R01 (L=130)



Front hinge 90° „Compact 3,2“ – 01.1191500.N01



Screw „Compact 3,2“ – 28.0011000.N00

