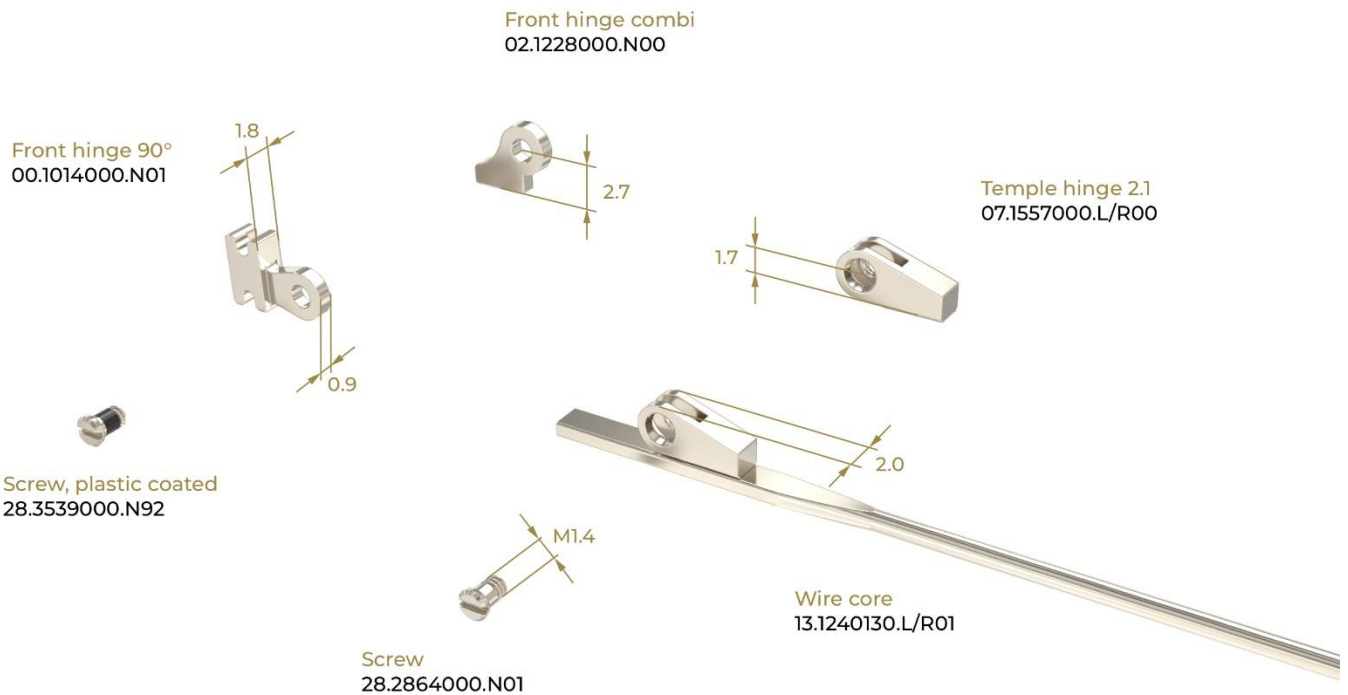


Wire Core 2,1

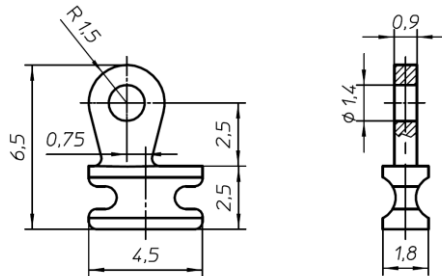
Soldered with Regular Hinge

- Extra slim dimensions
- Option: Plastic coated screw for smooth movement
- Flat design

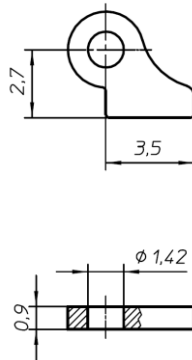


Drawings

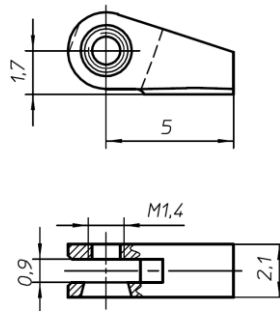
Front hinge 90° – 00.1014000.N01



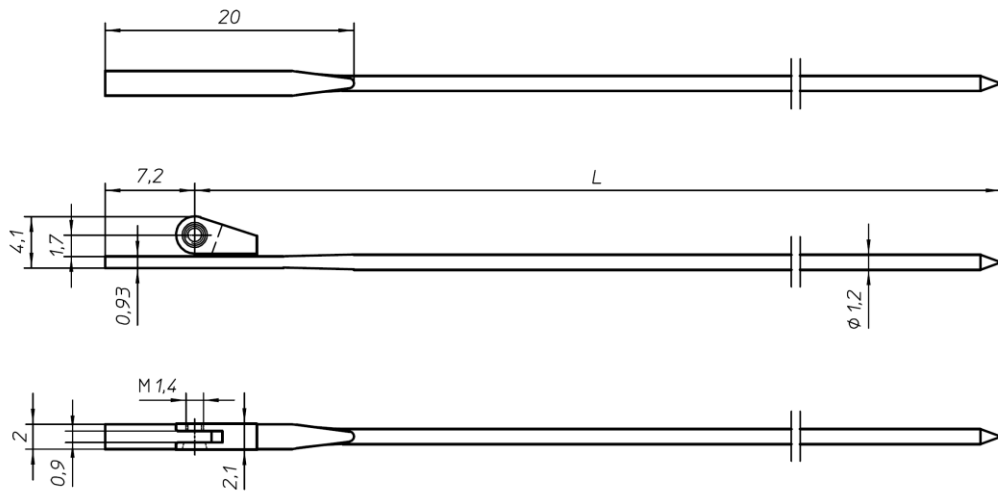
Front hinge combi – 02.1228000.N00



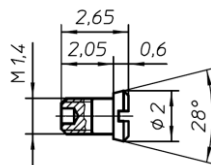
Temple hinge 2,1 – 07.1557000.L/R00



Wire core – 13.1240130.L/R01 (L=130)



Screw – 28.2864000.N01



Screw – 28.3539000.N92

