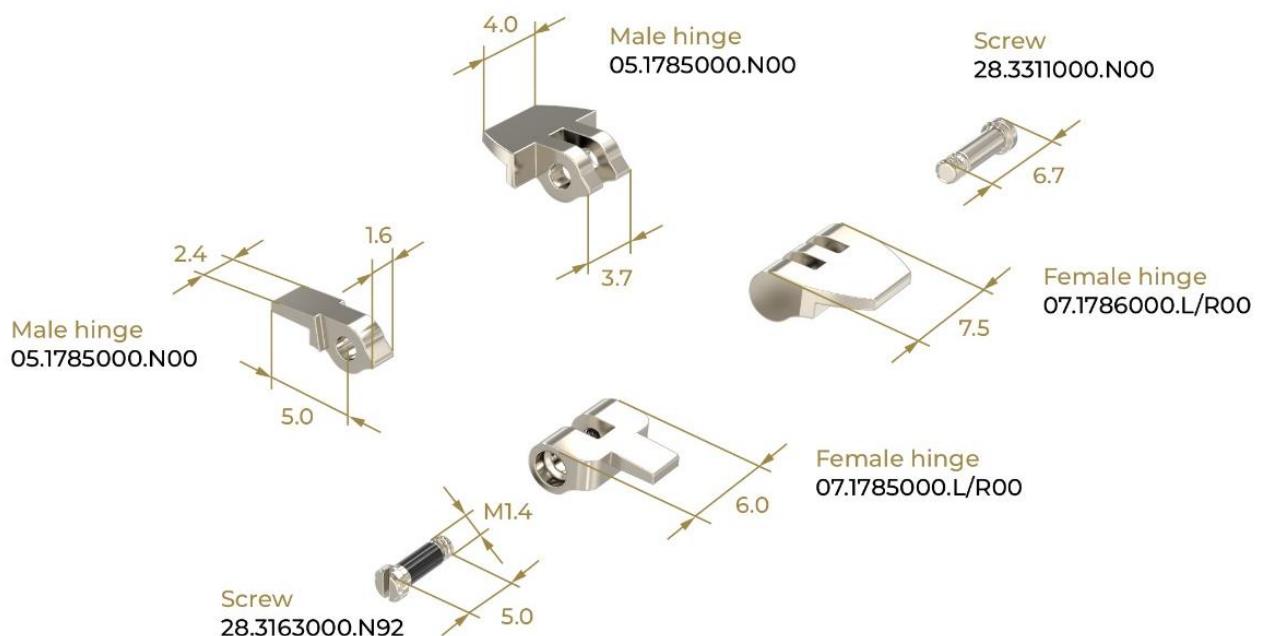


## Twister 3/5

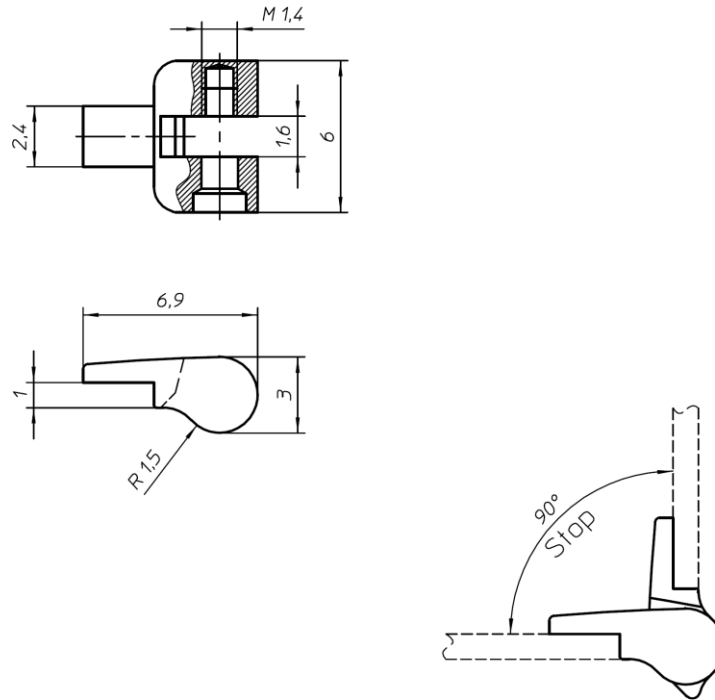
Regular Hinge with unique character

- Integrated element
- Unique design
- Opening & closing STOP function

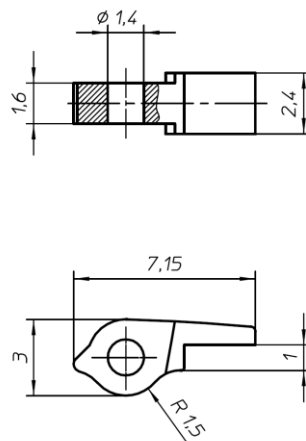


## Drawings

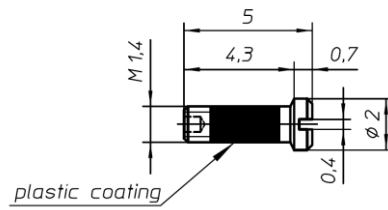
### Twister 3, female hinge – 07.1785000.L/R00



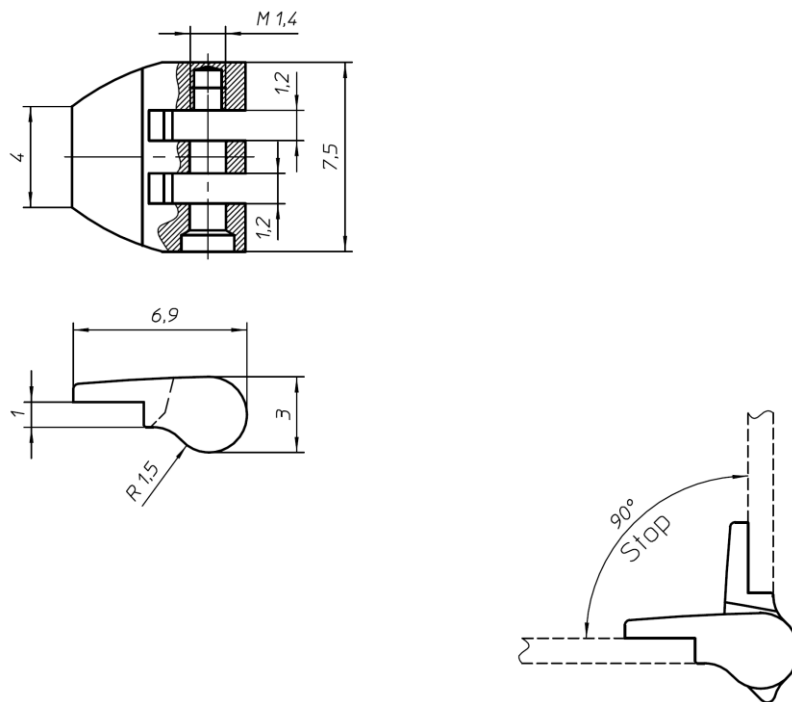
### Twister 3, male hinge – 05.1785000.N00



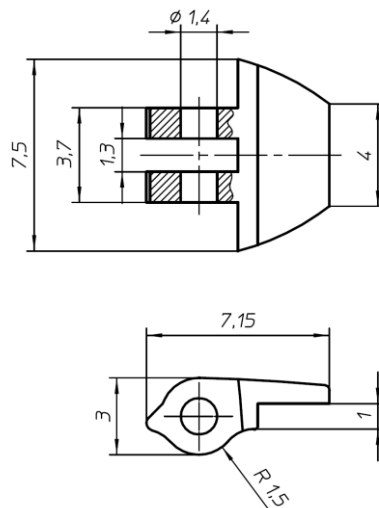
## Twister 3, screw – 28.3163000.N92



## Twister 5, female hinge – 07.1786000.L/R00



## Twister 5, male hinge – 05.1785000.N00



## Twister 5, screw – 28.3311000.N00

