

Sigma 4,0ti

Spring Hinge for titanium frames

Based on a proven technology – developed by REDTENBACHER

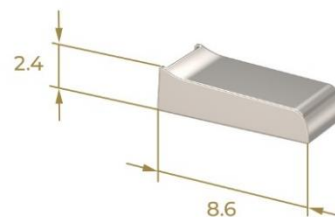
- Flat design
- Easy assembling
- Exchangeable gliding part



Front hinge for metal
07.1763000.L/R00

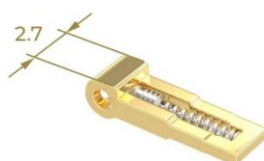


Washer
29.5094000.N21



Housing
29.6122000.N00

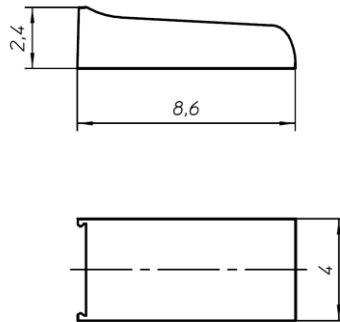
Screw
28.3233000.N98



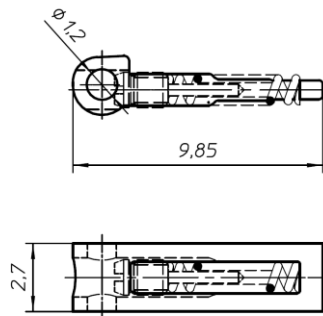
Gliding part, assembled
08.1774000.N21

Drawings

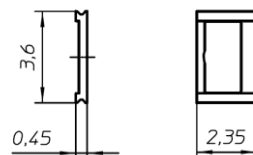
Housing – 29.6122000.N00



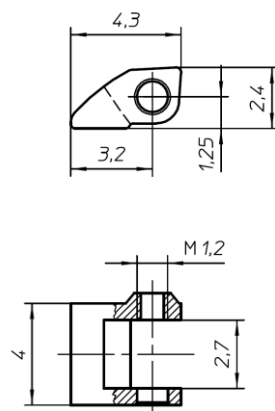
Gliding part, assembled – 08.1774000.N21



Washer – 29.5094000.N21



Front hinge for metal – 07.1763000.L/R00



Screw – 28.3233000.N98

