

Σ sigma 5,6

setnumber	version	front hinge	housing	gliding part	spring	screw housing	screw
00.1079							
00.1080		29.6101	02.1266	29.6259 29.3137			
04.1606							28.3229 M1,4
07.1757							

setnumber	version	front hinge	housing	gliding part	spring	screw housing	screw
60.5629.1B.1	Sigma 5,6 90°	00.1079	29.6101	02.1266	29.6259	29.3137	28.3229
60.5629.1B.2	Sigma 5,6 180°	00.1080	29.6101	02.1266	29.6259	29.3137	28.3229
60.5629.1C.1	Sigma 5,6 combi	04.1606	29.6101	02.1266	29.6259	29.3137	28.3229
60.5629.1A.1	Sigma 5,6 metal	07.1757	29.6101	02.1266	29.6259	29.3137	28.3229

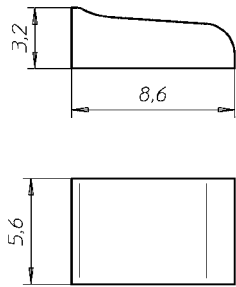
Optimal combination of elegance and technic, simplest assembling, highest stability, Maximum free of space

Housing

29.6101

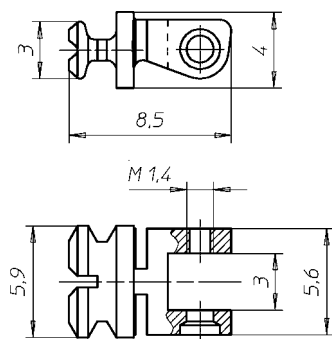


System E29



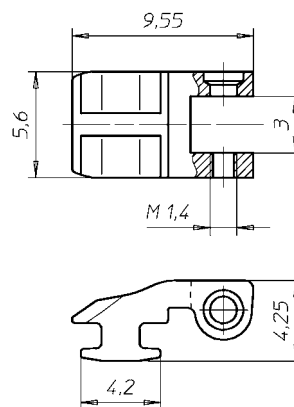
Front Hinge for Acetate 90°

00.1079



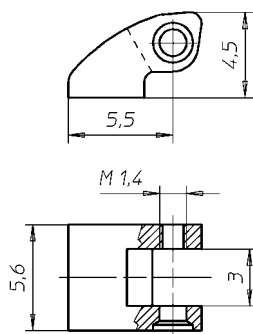
Front Hinge for Acetate 180°

00.1080



Front Hinge for Combination

04.1606



Front Hinge for Metal

07.1757

