
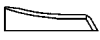
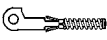
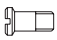
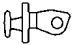
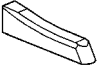
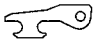


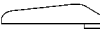




Δ delta 2,0

					
00.1053	29.6081000		28.2976 M1,2		
					
00.1067	29.6081100	08.1729	28.2917 M1,2		
					
04.1595	Protection Cap available 29.7340		28.2927 M1,2		
					
07.1671					
setnumber	version	front hinge	housing	gliding part	screw
60.2017.1B.3	delta 2,0 c 90°	00.1053	29.6081000	08.1729	28.2976
60.2017.1B.4	delta 2,0 c 180°	00.1067	29.6081000	08.1729	28.2917
60.2017.1B.5	delta 2,0 e 90°	00.1053	29.6081100	08.1729	28.2976
60.2017.1B.6	delta 2,0 e 180°	00.1067	29.6081100	08.1729	28.2917
60.2017.1C.2	delta 2,0 c combi	04.1595	29.6081000	08.1729	28.2927
60.2017.1C.3	delta 2,0 e combi	04.1595	29.6081100	08.1729	28.2927
60.2017.1A.2	delta 2,0 c metal	07.1671	29.6081000	08.1729	28.2927
60.2017.1A.3	delta 2,0 e metal	07.1671	29.6081100	08.1729	28.2927

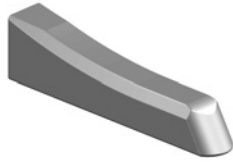
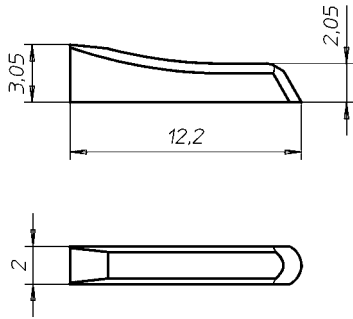
Complete closed housing, resistance against tearing out, gliding part free of space.

Housing Classic

29.6081000

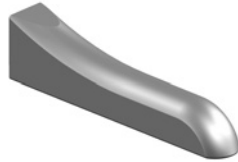
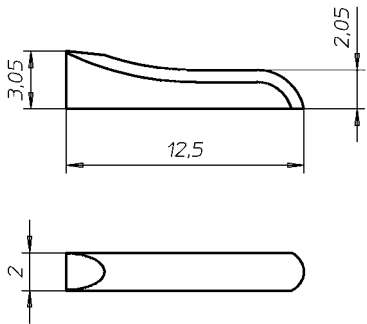


System E17
Nickel Silver



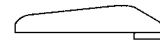
Housing Elegance

29.6081100



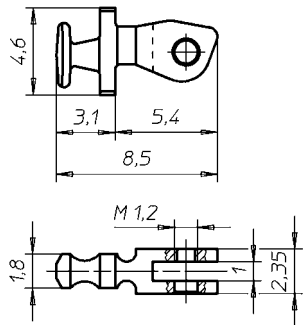
Protection Cap

29.7340



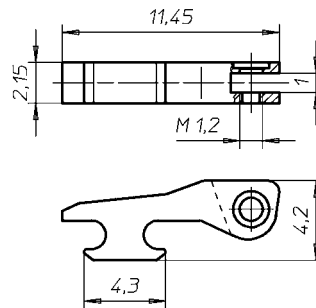
Front Hinge for Acetate 90°

00.1053



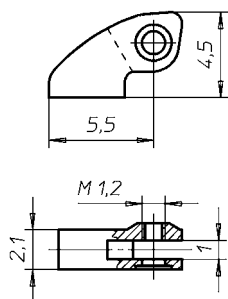
Front Hinge for Acetate 180°

00.1067



Front Hinge for Combination

04.1595



Front Hinge for Metal

07.1671

