



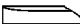

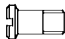


α alpha 2,4 c

 00.1042  04.1483  07.1634 	 29.6072	 08.1714 soft 08.1636 strong	 28.2927 M1,2		
setnumber	version	front hinge	housing	gliding part	screw
60.2410.1B.1	alpha 2,4 c 90° soft	00.1042	29.6072	08.1714	28.2927
60.2410.1C.2	alpha 2,4 c combi soft	04.1483	29.6072	08.1714	28.2927
60.2410.1A.1	alpha 2,4 c metal strong	07.1634	29.6072	08.1636	28.2927

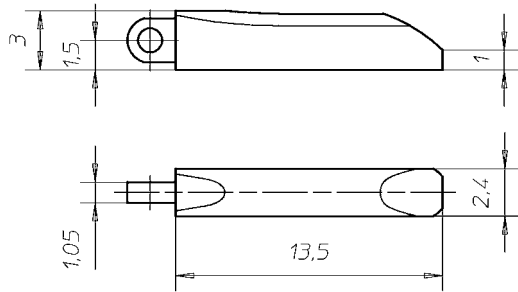
Gliding part replaceable, wide opening angle.

Housing

29.6071

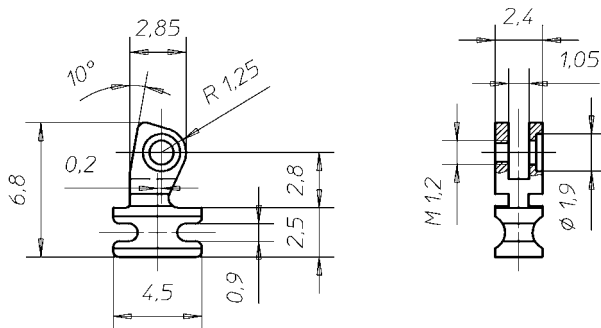


System E10
Nickel Silver



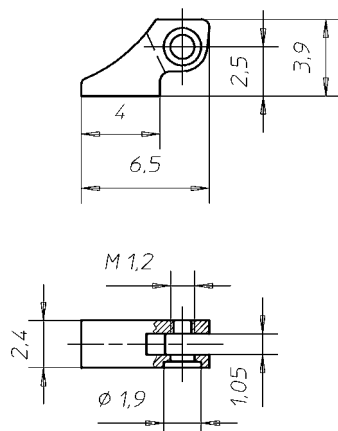
Front Hinge for Acetate 90°

00.1042



Front Hinge for Combination

04.1483



Front Hinge for Metal

07.1634

