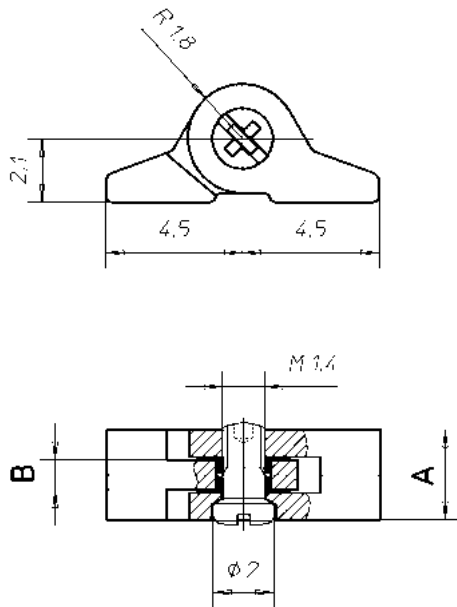



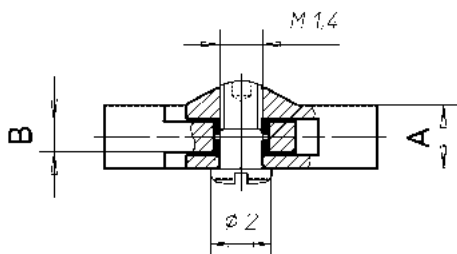



Titanium Hinges for soldering

All parts loose or screwed 180°
Nickelsilver inlays for friction control



A	B	
2,5	1,0	08.1649.100
3,0	1,0	08.1650.100
3,5	1,2	08.1651.100



A	B	
2,1	1,0	08.1648.100