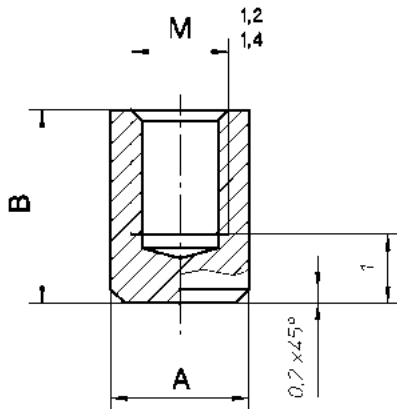




**TYPE 1**

for soldering

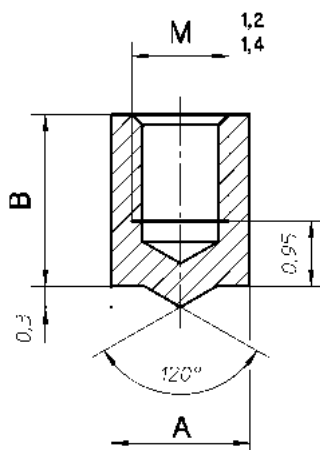


Mat. 2 = nickel silver

Mat. 3 = bronze

**TYPE 2**

for spot welding



Mat. 2 = nickel silver

Mat. 3 = bronze

Details for ordering

TYPE	A	B	M	Mat.