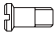


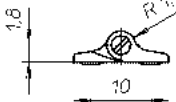






Hinge Systems for Metal Frames
Version for Welding Part 1

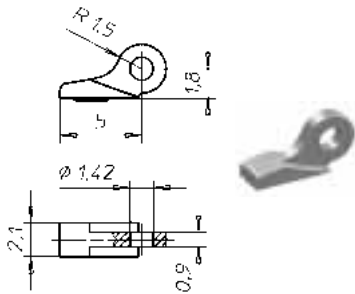
Male Hinge	Femal Hinge		Assembled Version	Base Material
05.0674	07.0674		08.0674 with regular screw	Nickel Silver
		Regular Screw 28.0099 M1,4		
		Coated Screw 28.2973 M1,4	08.1684 with coated screw	Nickel Silver
		Regular Screw 28.0137 M1,4	08.1597 with regular screw	
		Coated Screw 28.2974 M1,4	08.1686 with coated screw	Nickel Silver
05.1563	07.1563	Regular Screw 28.0161 M1,4	08.1563200 with regular screw	
		Coated Screw 28.2975 M1,4	08.1563301 with coated screw	Nickel Silver



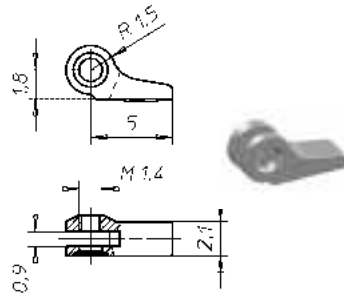
for Metal Frames

XX.0674 Metal Hinge in Nickel Silver for Welding

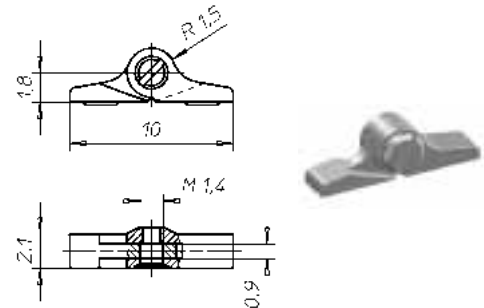
05.0674



07.0674

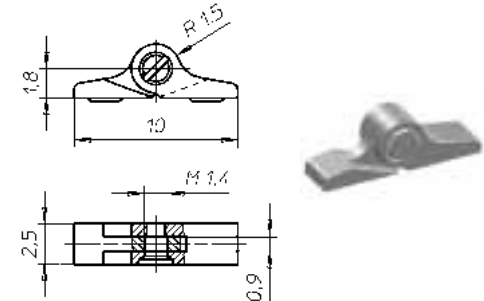


08.0674200 with regular screw
08.1684300 with coated screw



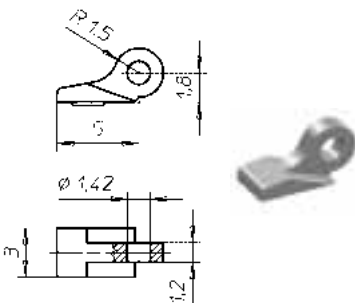
08.1597 Metal Hinge in Nickel Silver for Welding

08.1597 with regular screw
08.1686 with coated screw

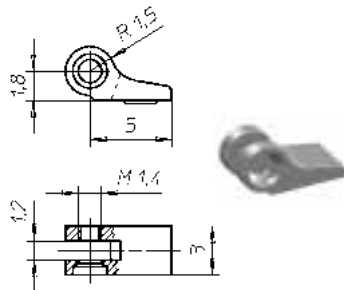


XX.1563 Metal Hinge in Nickel Silver for Welding

05.1563



07.1563



08.1563200 with regular screw
08.1563301 with coated screw

