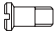

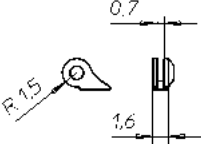


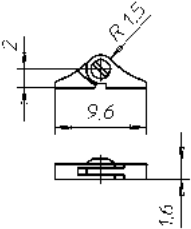


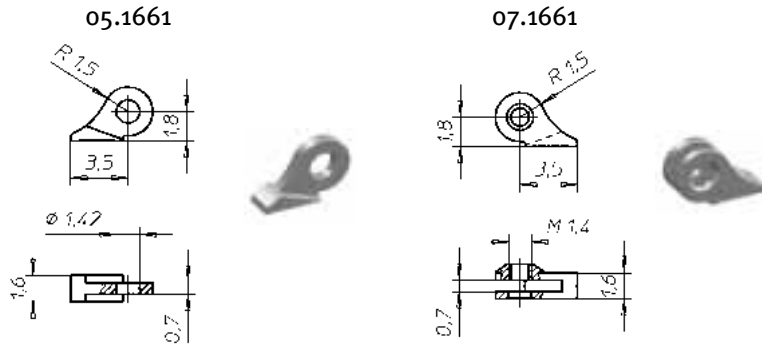


Hinge Systems for Metal Frames
Light Weight Versions for Soldering

Male Hinge	Femal Hinge		Assembled Version	Base Material
05.1661	07.1661			
		28.2911 M1,4		Nickel Silver
05.1615	07.1615		08.1615	
		28.2911 M1,4		Nickel Silver



XX.1661 Metal Hinge in Nickel Silver for Soldering



XX.1615 Metal Hinge in Nickel Silver for Soldering

