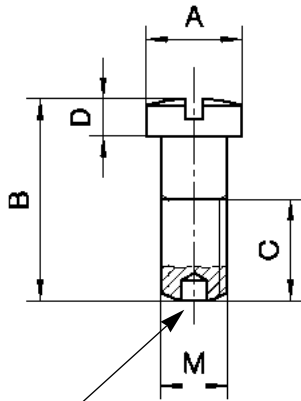




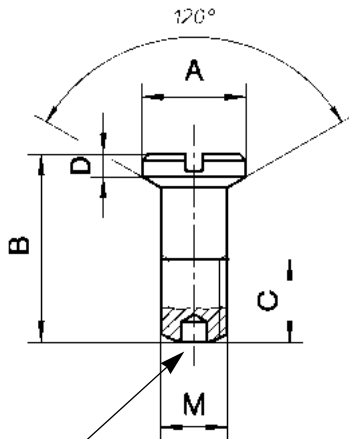
TYPE 1



H = with peening hole
H1 = without peening hole

Mat. 1 = stainless steel

TYPE 2



H = with peening hole
H1 = without peening hole

Mat. 1 = stainless steel

Details for ordering

TYPE	A	B	C	D	M	Mat.	H
------	---	---	---	---	---	------	---