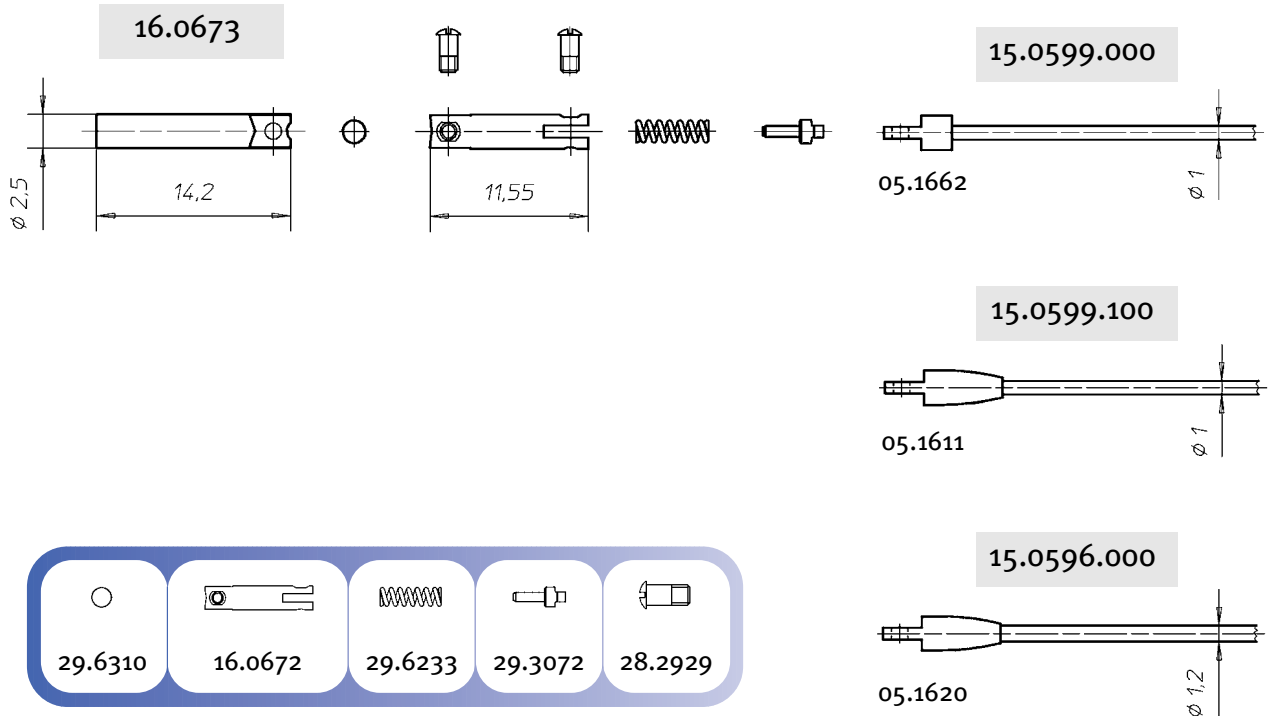


Version 1

Vertical resilience  
at front



**Spring Hinge System E<sub>9</sub> HV**  
Round Spring Hinge with horizontal - vertical resilience



setnumber	version	endpiece	ball	front hinge	spring	pin	screw	temple
60.2509.6A.1	E <sub>9</sub> HV1	16.0673	29.6310	16.0672	29.6233	29.3072	28.2929	15.0599.127
60.2509.6A.2		16.0673	29.6310	16.0672	29.6233	29.3072	28.2929	15.0596.022
60.2509.6C.1		16.0673	29.6310	16.0672	29.6233	29.3072	28.2929	15.0599.023